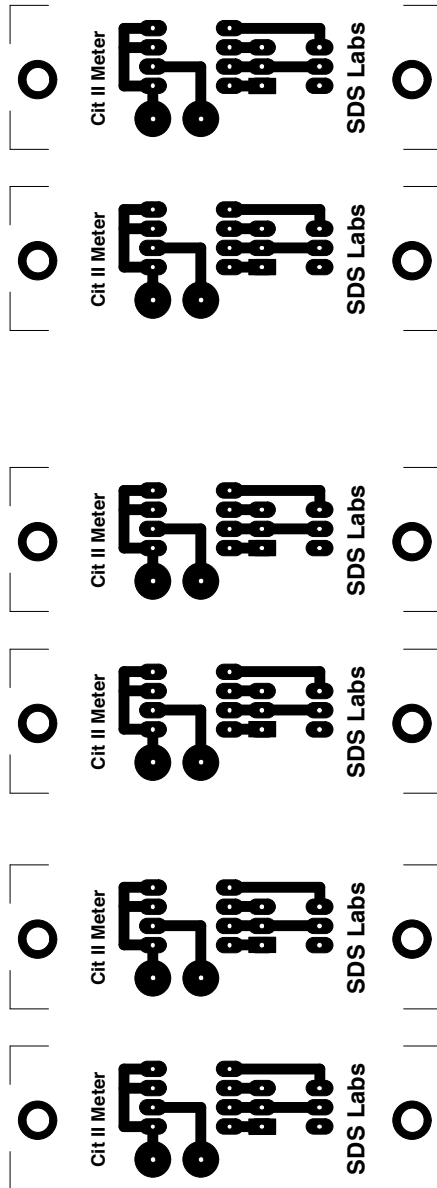


Position	Dissipation	percent
1	50.433	129.7
2	38.838	99.9
3	35.015	90.0
4	33.076	85.1
5	31.934	82.1
6	31.166	80.1
7	30.622	78.7



SDS Labs

Citation II Meter Mod

March 19, 2013

